

MOTOMAN GP FGG-series

Handling & General Application
for the Food Industry



GP7 FGG, GP8 FGG, GP12 FGG and GP25 FGG:

Increase Productivity

Highest payloads, speeds and wrist allowable moment in its class

- A variety of workpieces can be transferred and different grippers can be mounted of with payloads up to 25 kg
- Acceleration/deceleration control has been improved to achieve maximum reduction of acceleration/deceleration times for all robot postures

Make Equipment compact

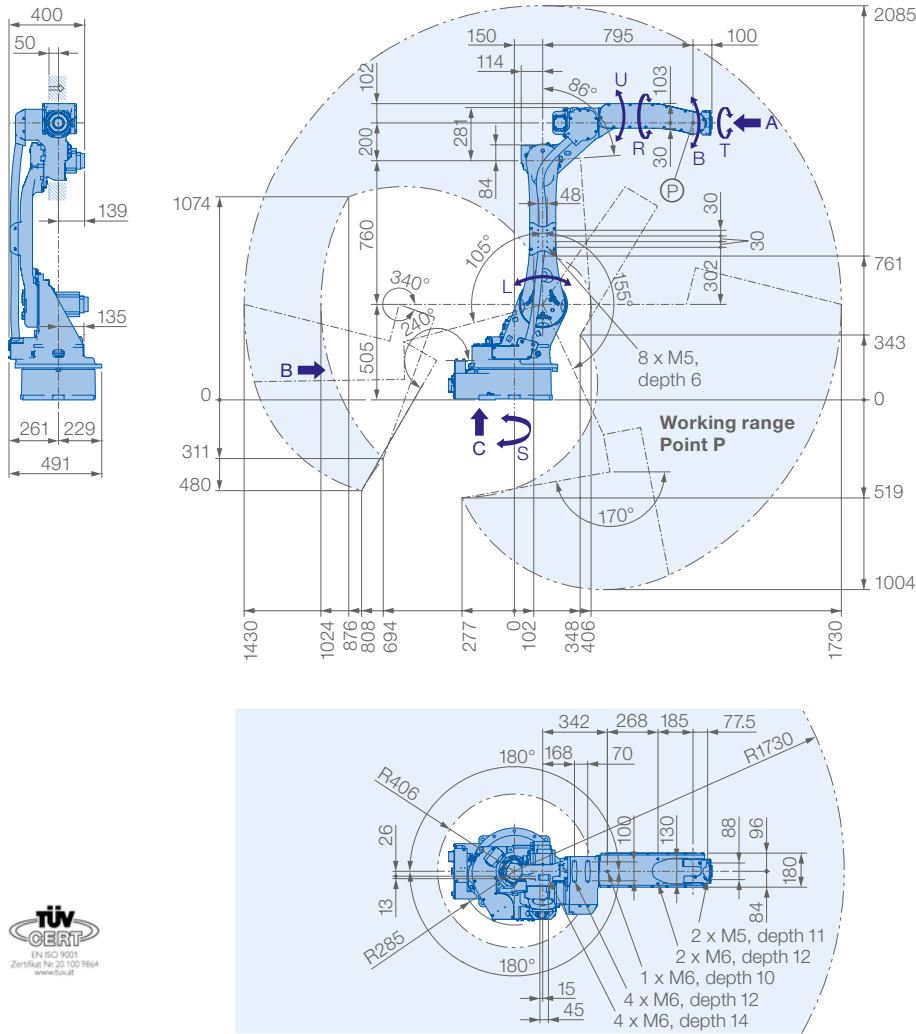
Slim and easy-to-use structure

- Slim robot body requires minimum installation space (minimizes L-U axis offset)
- The manipulator cable can be connected at the bottom section, which reduces interference with walls and requires far less installation space when compared with cable connections on the side of the robot
- Increased maximum reach and horizontal reach enables robots to operate in wider work areas
- The slim, straight, and symmetrical arm design minimize interference with peripheral devices even in small spaces

KEY BENEFITS

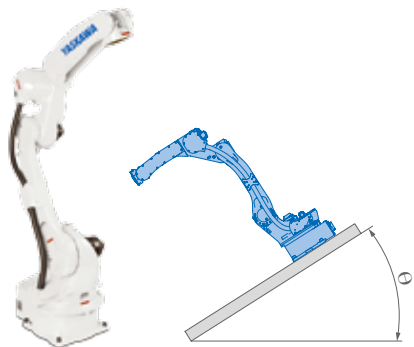
- Food grade grease allows robot to be used in food related applications in secondary and tertiary packaging
- Drip proof design assures smooth disposal of a liquid on the robot surface

MOTOMAN GP25 FGG

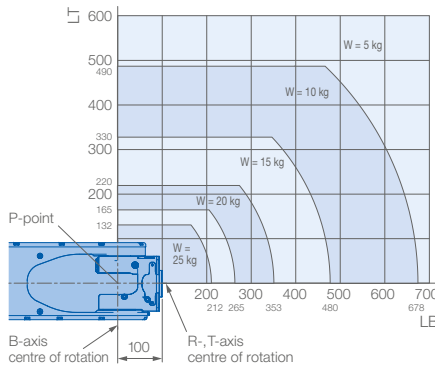


Prevent interaction of the robot with:

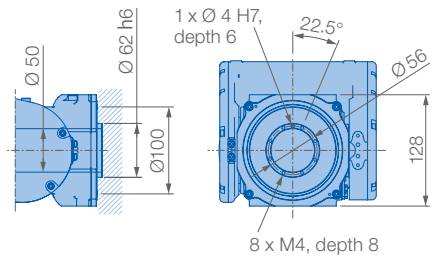
- Corrosive gasses, liquids or explosive gasses
- Exposure to water, oil or dust
- Excessive electrical noise (plasma)



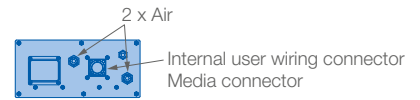
Allowable wrist load



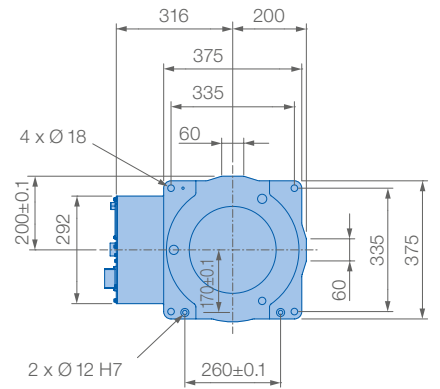
View A



View B



View C



Mounting options: Floor, ceiling, wall, tilt*

Protection class: IP67

* tilt with condition of angle – see table below

Robot installation angle θ [deg.]	S-axis operating range [deg.]
$0 \leq \theta \leq 30$	± 180 degrees or less (no limit)
$30 < \theta \leq 35$	± 60 degrees or less
$35 < \theta$	± 30 degrees or less

Specifications GP25 FGG

Axes	Maximum motion range [°]	Maximum speed [°/sec.]	Allowable moment [Nm]	Allowable moment of inertia [kg · m ²]	Controlled axes	6
S	± 180	210	–	–	Max. payload [kg]	25
L	+155/–105	210	–	–	Repeatability [mm]	$\pm 0.06^*$
U	+160/–86	265	–	–	Max. working range R [mm]	1730
R	± 200	420	52	2.3	Temperature [°C]	15 to +45
B	± 150	420	52	2.3	Humidity [%]	20 – 80
T	± 455	885	32	1.2	Weight [kg]	265
					Power supply, average [KVA]	2,0**

* Conforms to ISO 9283 ** Varies in accordance with applications and motion patterns Note: SI units are used for specifications.

YASKAWA GROUP

AT	YASKAWA Austria Schwechat/Wien +43(0)1-707-9324-15
CZ	YASKAWA Czech s.r.o. Rudná u Prahy +420-257-941-718
ES	YASKAWA Ibérica, S.L. Gavà/Barcelona +34-93-6303478
FR	YASKAWA France SARL Le Bignon +33-2-40131919
FI	YASKAWA Finland Oy Turku +358-(0)-403000600
GB	YASKAWA UK Ltd. Banbury +44-1295-272755
IT	YASKAWA Italia s.r.l. Torino +39-011-9005833
IL	YASKAWA Europe Technology Ltd. Rosh Ha'ayin +972-3-9004114
NL	YASKAWA Benelux B.V. Eindhoven +31-40-2895500
PL	YASKAWA Polska Sp. z o.o. Wrocław +48-71-7928670
RU	YASKAWA Nordic AB Moskva +46-480-417-800
SE	YASKAWA Nordic AB Torsås +46-480-417-800
SI	YASKAWA Slovenia Ribnica +386-1-8372-410
TR	YASKAWA Turkey Elektrik Ticaret Ltd. Sti. İstanbul +90-216-5273450
ZA	YASKAWA Southern Africa (PTY) Ltd Johannesburg +27-11-6083182

DISTRIBUTORS

BG	ARAMET ROBOTICS Ltd. Yambol +359-885 317 294 Kammarton Bulgaria Ltd. Sofia +359-02-926-6060
DK	Robotcenter Danmark Løsning +45 7022 2477
EE	RKR Seadmed OÜ Tallinn/Estonia +372-68-35-235
GR	Gizelis Robotics Schimatari Viotias +30-2262057199
HU	Flexman Robotics Kft Budapest +36 1 259 0981
LT	Profibus UAB Panevezys +370-45-518575
NO	Skala Robotech AS Lierstranda +47-32240600
PT	ROBOPLAN Lda Aveiro +351-234 943 900
RO	Sam Robotics srl Timisoara +40-720-279-866 MPL Automation S.R.L. Satu Mare +40 (0) 261 750 741



YASKAWA Headquarters

YASKAWA Europe GmbH
Robotics Division
Yaskawastraße 1
85391 Allershausen, Germany
Tel. +49 (0) 8166/90-0
Fax +49 (0) 8166/90-103

robotics@yaskawa.eu.com
www.yaskawa.eu.com

YASKAWA ACADEMY and sales office Frankfurt

YASKAWA Europe GmbH
Robotics Division
Hauptstraße 185
65760 Eschborn, Germany
Tel. +49 (0) 6196/77725-0
Fax +49 (0) 6196/77725-39

All dimensions in mm.
Technical data may be subject to change without previous notice.
Please request detailed drawings at robotics@yaskawa.eu.com.

YR-1-06VX7-F00, YR-1-06VX8-F00,
YR-1-06VXH12-F00, YR-1-06VXH25-F40
GP FGG-series

A-05-2019, A-No. 190839

YASKAWA